



# Energy Display Unit

## TGO100

The TGO Energy Display Unit (EDU) system harnesses human energy and turns it into usable electricity. It is an interactive display that feeds back to the user the total Kilowatt hour meter (kWh, 5 digits) – counting the total energy generated by the users of the gym as well as the real time average power generated. In addition to this each user can charge their mobile device.

### Specification

1. 100% Made in Britain
2. Certified to EN16630, (legacy standards, BSI PAS888 - safety compliant for ALL ages, users and non-users & DIN79000 - safety compliant for users, aged 14+). All TGO outdoor gym equipment is free from exposed end stops, entrapments, sharp edges and crush points

**ALWAYS ASK FOR EN16630 FOR OUTDOOR GYMS**

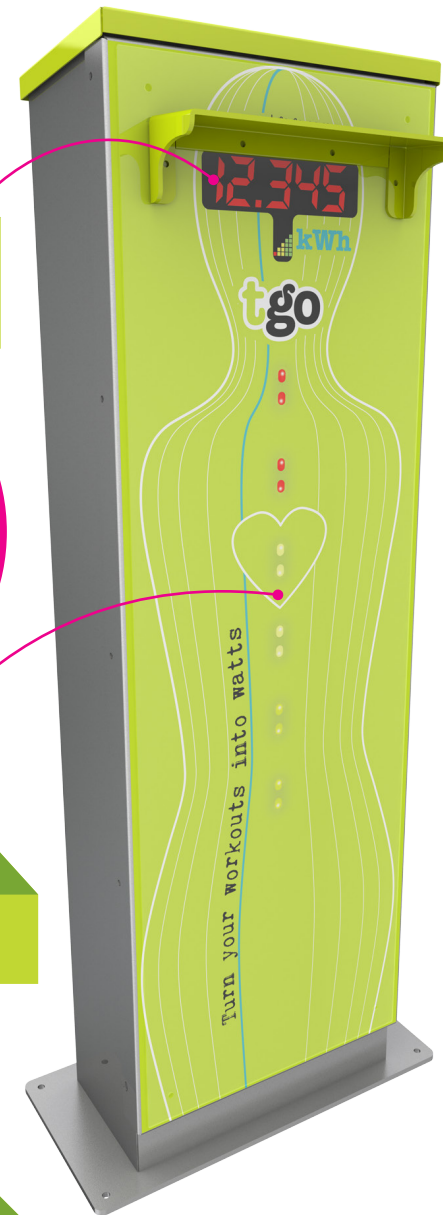
3. Weatherproof
4. Low maintenance
5. Designs include key elements of Inclusive Fitness Initiative guidelines
6. TGO plant a tree in the NHS Forest for every piece of equipment sold
7. Anti vandal fixings
8. Available in all major RAL colours
9. Paint UV stabilised
10. Welds certified to EN15015614
11. Powder coated finish

User display:  
Kilowatt hour meter  
(5 digits) – counting the  
total energy generated  
by the users of the gym



Vertical LED power  
meter displaying the  
average power output of  
the users

**Guarantees**  
25 years steel work  
5 years paint  
1 year electronics



The EDU is compatible with the following green energy gym equipment in any configuration

- 
TGO908  
Energy  
Hand Bike

- 
TGO862  
Energy  
Cross Trainer

- 
TGO971  
Energy  
Spinning Bike

- 
TGO892  
Energy  
Recumbent  
Bike






Clear Space Required  (25mm tolerance added in each direction) Recommended Surfacing  Base Plate & Centre Lines

# Energy Display Unit

## TGO100

### Production Details

Manufacturer Standard: EN16630 (legacy standards - PAS888, Din79000)  
 Framework: Mild Steel Grade S275 or Stainless Steel Grade 316 (min 3mm thick)  
 Finish: E coat primer then High quality gloss finish polyester powder coat paint  
 Signage Plate: High quality reverse printed PETG

### Enhanced Corrosion Protection

An enhanced corrosion protection is available on request for this product. Hot dip galvanising is the process TGO use to add a protective coating to the body of our products on our equipment in coastal areas, which have higher air salinity or in harsh urban and industrial atmospheres with higher sulphur dioxide pollution\*.

The upgrade includes:

- Upgrading to hot dip galvanising
- Fixings are upgraded from A2 to A4 stainless steel

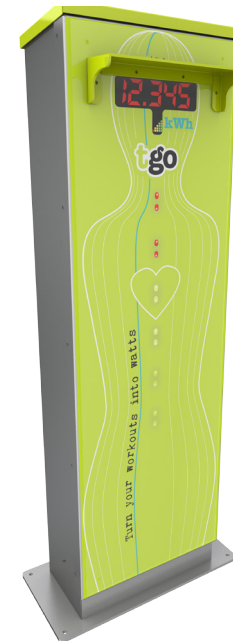
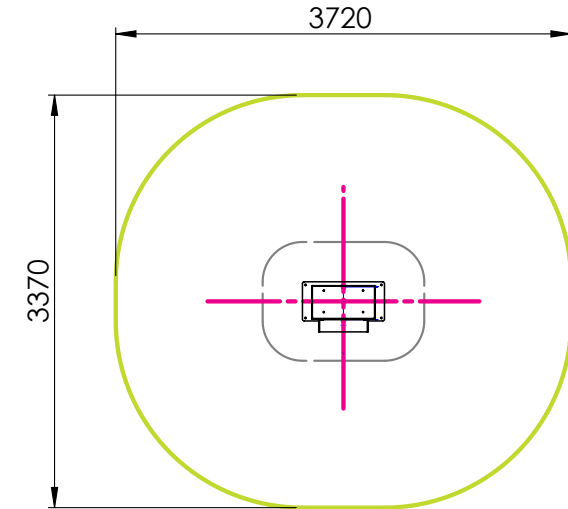
\*An upgrade to galvanised steel will be necessary for the warranty in these environments.

### Installation

This product is installed onto generic TGO Large Ground Anchor. Please see the 'TGOGC Installation & Assembly Guidelines' for guidance on installing this anchor. Please refer to the diagram opposite for safety spacing.

### Safety

This product requires 1.5m of clear space around the equipment (green outline). There is no safer surface requirement and therefore TGO only recommend a minimal surface area (grey outline).



\*An upgrade to galvanised steel will be necessary for the warranty in these environments.

