



# Shortened Energy Hand Bike TG0912

A world first! Outdoor gym equipment that generates human powered electricity. Upgrade to a piece of Cardio Charge equipment and charge your mobile phone or tablet whilst exercising. WOW!

Chief Medical Officer guidelines recommend all children and young people aged (5-18 years) should engage in moderate to vigorous intensity physical activity for at least 60 minutes every day. All TGO shortened and Mini range products are designed with development and ability in mind to prevent over working of joints and muscle groups that should not be stressed in young bodies.

Can be used by both able bodied users and wheelchair users. It is an excellent cardiovascular piece of equipment, toning up arms whilst improving muscle, stamina and endurance. This equipment is also available in full size version (see TGO908).

## Specification

- 100% Made in Britain
- Safety compliant to BSI PAS888 (legacy standard) for ALL ages, users and non-users but specifically to protect users of small stature and young people under 1.4m tall.



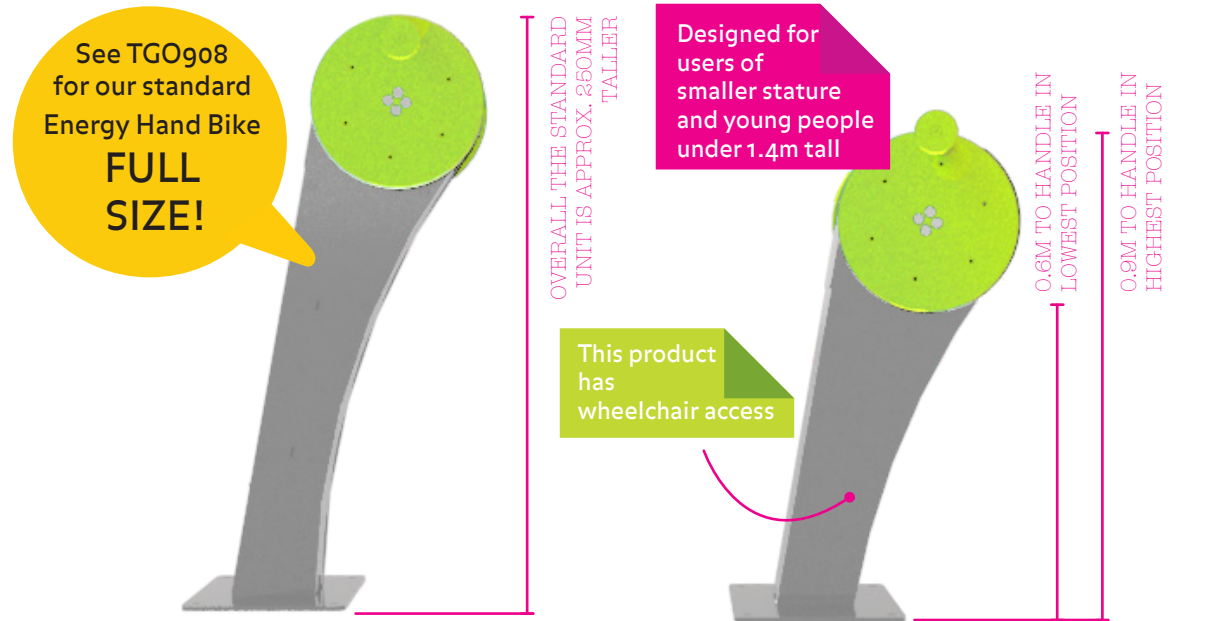
### Safety statement:

Fitness equipment aimed at young people falls outside of the Scope of EN16630 which specifically excludes equipment designed for users < 1,400mm high. Although superseded by EN16630, PAS888 is the only published National Specification that has a Scope (provided by SW/136 [CEN Standards Committee]) that incorporates Outdoor Fitness Equipment accessible by young people and children.

Statement provided by Independent RPII Inspector with over 35 years industry experience.

- All TGO outdoor gym equipment is free from stops, entrapments, sharp edges and crush points
- ALWAYS ASK FOR THE SAFEST OUTDOOR GYMS

\*For detailed product specification please see full size Energy Hand Bike TGO908 points 3 to 15





# Shortened Energy Hand Bike TG0912

### Production Details

Manufacturer Standard: Safety compliant to BSI PAS888 (legacy standard) for ALL ages, users and non-users but specifically to protect users of small stature and young people under 1.4m tall.

Framework: Mild Steel Grade S275 (min 3mm thick)

Bearing Surfaces: Grade 316 stainless steel

Finish: High quality gloss finish polyester powder coat paint

Signage Plate: High quality reverse printed PETG

### Enhanced Corrosion Protection

An enhanced corrosion protection is available on request for this product. Hot dip galvanising is the process TGO use to add a protective coating to the body of our products on our equipment in coastal areas, which have higher air salinity or in harsh urban and industrial atmospheres with higher sulphur dioxide pollution\*.

The upgrade includes:

- Upgrading to hot dip galvanising
- Fixings are upgraded from A2 to A4 stainless steel

\*An upgrade to galvanised steel will be necessary for the warranty in these environments.

### Installation

This product is installed onto a generic TGO Medium Ground Anchor. Please see the 'TGOGC Installation & Assembly Guidelines' for guidance on installing this anchor. Please refer to the diagram opposite for safety spacing.

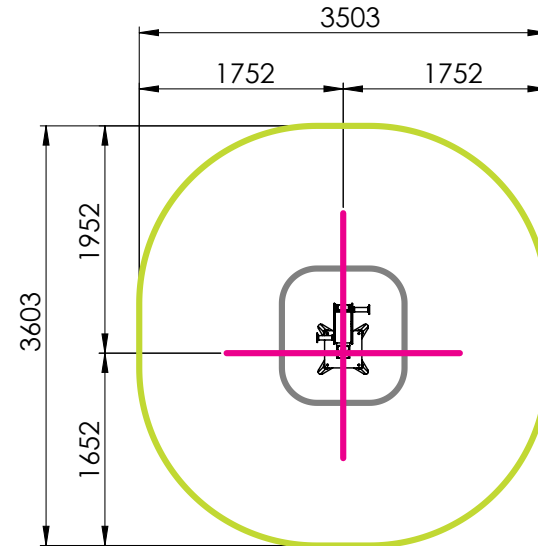
### Safety

This product requires 1.5m of clear space around the equipment (green outline).

- Falling height: 0.0m
- Clear Space: 12.5m<sup>2</sup>

There is no safer surface requirement and therefore TGO only recommend a minimal surface area (grey outline).

Clear Space Required  Recommended Surfacing  Base Plate & Centre Lines   
 (25mm tolerance added in each direction)



Ground anchor is separate, makes future upgrades easy!



\*An upgrade to galvanised steel will be necessary for the warranty in these environments.