

# Energy Recumbent Bike

## TG0892

This Green Energy Recumbent bike is a world first – outdoor gym equipment that generates human powered electricity. The user can charge their mobile phone by plugging their device into the console via the USB port.

This recumbent bike is easily accessed by the user so good for older people as well as the super fit. Designed to give the user a cardiovascular workout and improve leg strength and muscle tone. It is ideal as a rehabilitation tool, keeping the back in a fixed position whilst working the lower body. The Energy Recumbent Bike comes with our bespoke made all aluminium pedals. These look and work brilliantly, but most importantly won't rust.

### Specification

- 100% Made in Britain
- Certified to EN16630, (legacy standards, BSI PAS888 - safety compliant for ALL ages, users and non-users & DIN79000 - safety compliant for users, aged 14+). All TGO outdoor gym equipment is free from exposed end stops, entrapments, sharp edges and crush points

**ALWAYS ASK FOR EN16630 FOR OUTDOOR GYMS**

- Unique TGO Green Energy technology
- Low voltage
- 2x USB Ports
- Interactive power display on console
- No need for mains / any external power supply
- Weather proof
- Mobile phone charging console with USB charger and watt meter
- Great instructional signage- workout QR code videos, start and finish diagrams.
- Free at the point of use
- Resistance-based equipment - no electricity required
- Low maintenance
- Designs include key elements of Inclusive Fitness Initiative guidelines
- TGO plant a tree in the NHS Forest for every piece of equipment sold

The console shows the user how much power they are producing and also lets them charge their phone

The USB's are an easily accessible and replaceable component should they ever get vandalised

**TG0892UK**  
Instructional signage to be ordered separately and bolted onto the console during installation

Aluminium pedals and tread plates provide a good grip to avoid slipping

This product comes with a coastal specification as standard

**Guarantees**  
25 years steel work  
2 years bearings  
5 years paint





Clear Space Required  Recommended Surfacing  Base Plate & Centre Lines   
 (25mm tolerance added in each direction)

# Energy Recumbent Bike

## TG0892

### Production Details

Manufacturer Standard: EN16630 (legacy standards - PAS888, Din79000)  
 Framework: Mild steel grade S275 (min 3mm thick)  
 Bearing Surfaces: Grade 316 stainless steel  
 Finish: High quality gloss finish polyester powder coat paint  
 Console: Aluminium and high quality reverse printed PETG signage  
 Seats and Backs: Enhanced polyphenylene ether (PPE) resin

### Enhanced Corrosion Protection

An enhanced corrosion protection is available on request for this product. Hot dip galvanising is the process TGO use to add a protective coating to the body of our products on our equipment in coastal areas, which have higher air salinity or in harsh urban and industrial atmospheres with higher sulphur dioxide pollution\*.

The upgrade includes:

- Upgrading to hot dip galvanising
- Fixings are upgraded from A2 to A4 stainless steel

\*An upgrade to galvanised steel will be necessary for the warranty in these environments.

### Installation

This product is installed onto a generic TGO Large Ground Anchor. Please see the 'TGO Installation & Assembly Guidelines' for guidance on installing this anchor. Please refer to the diagram opposite for safety spacing and orientation details.

### Safety

This product requires 1.5m of clear space around the equipment (green outline).

- Falling height: 0.53m
- Clear Space: 16.2m<sup>2</sup>

There is no safer surface requirement and therefore TGO only recommend a minimal surface area (grey outline).

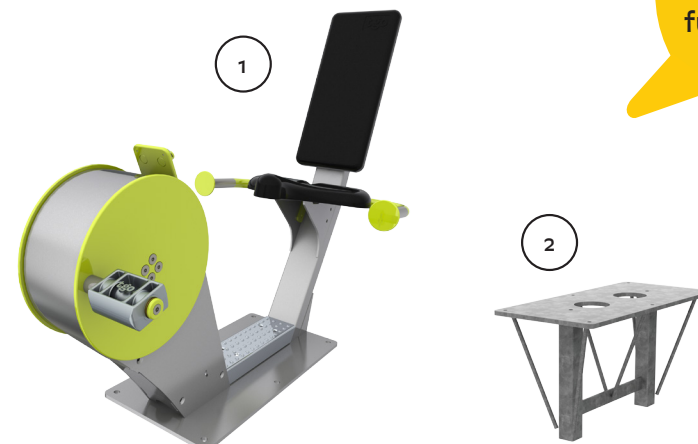
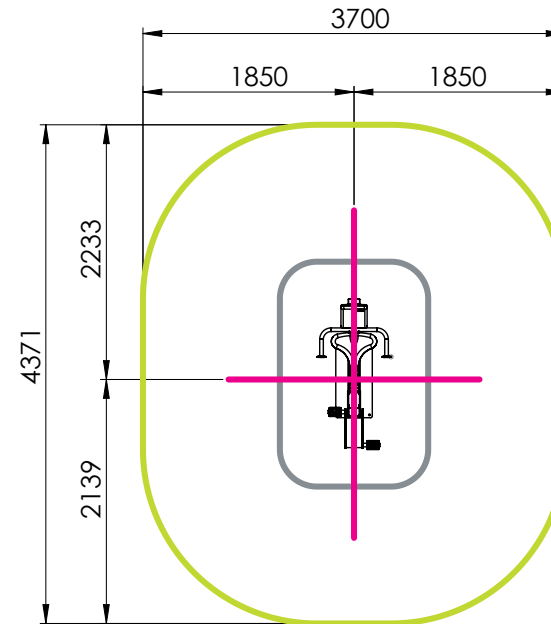
### Electrical Specification

USB Output: Twin USB output 5V, 1A (Global industry standard)  
 Power Output (glow/flow): Max 100W, Avg 40W, Max 30v  
 Electrical Storage: IP65 Rated

### Parts List

No	Part	Dimensions	Weight	Qty
1	Recumbent Bike	L1320, W650, H1010	90 kg	1
2	Large Anchor <sup>†</sup>	L777, W489, H344	23 kg	1

<sup>†</sup>Substituted with 6x HILTI fixings for surface mounted option



Ground anchor is separate, makes future upgrades easy!

